

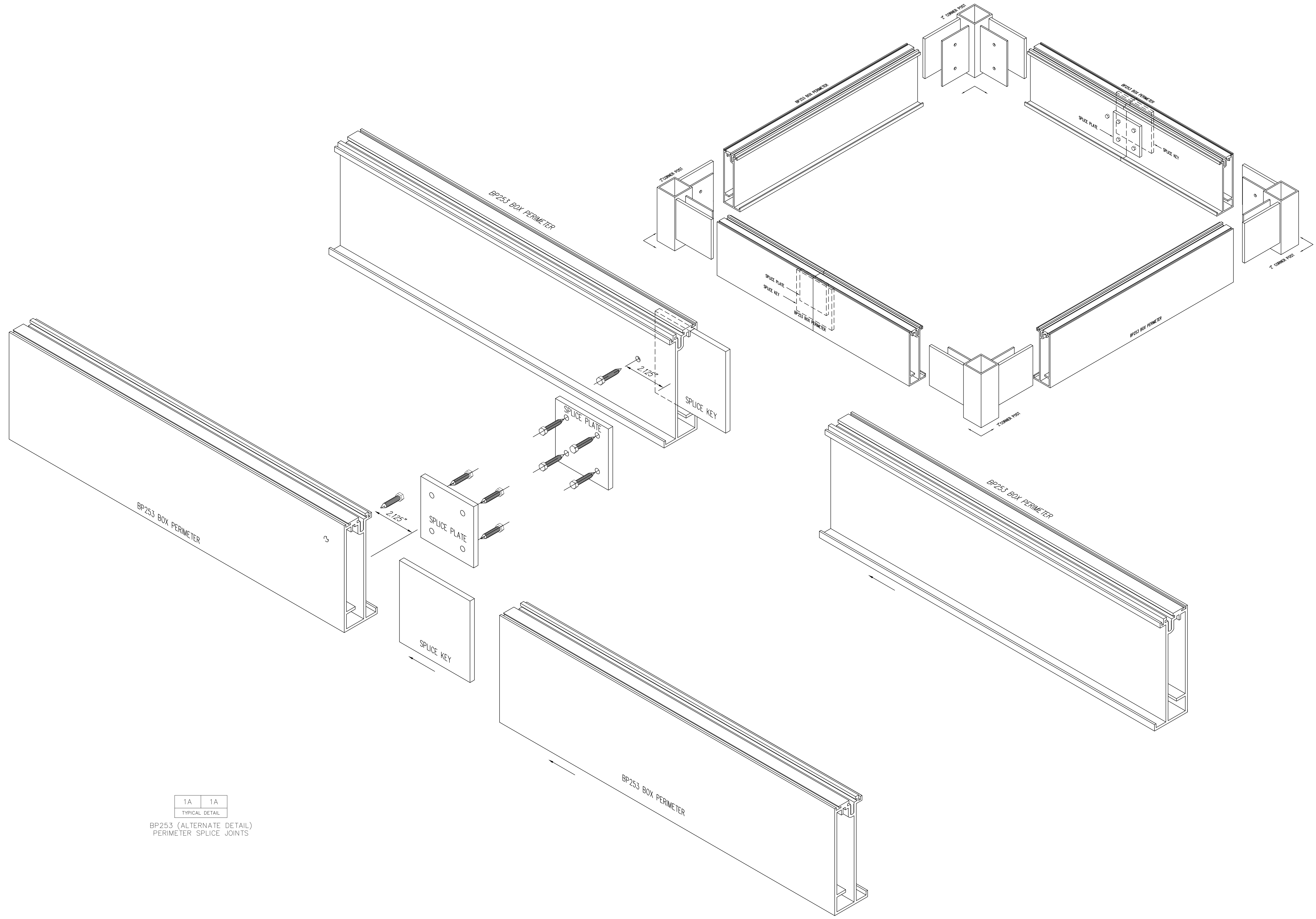
1	1
TYPICAL DETAIL	

 BP253 PERIMETER
 2" CORNER POST INSTALLATION

NO.	DATE	REVISION	BY

DEXSPAN DECK SYSTEMS		DRAWN BY: ECG	DRAWING NUMBER:
SCALE: 6"=1'-0"	APPROVED BY:	FILE:	
DATE: 10-22-16			
TYPICAL SYSTEM ASSEMBLY			


DEXSPANTM
 Extruded Aluminum Deck and Dock Framing Systems

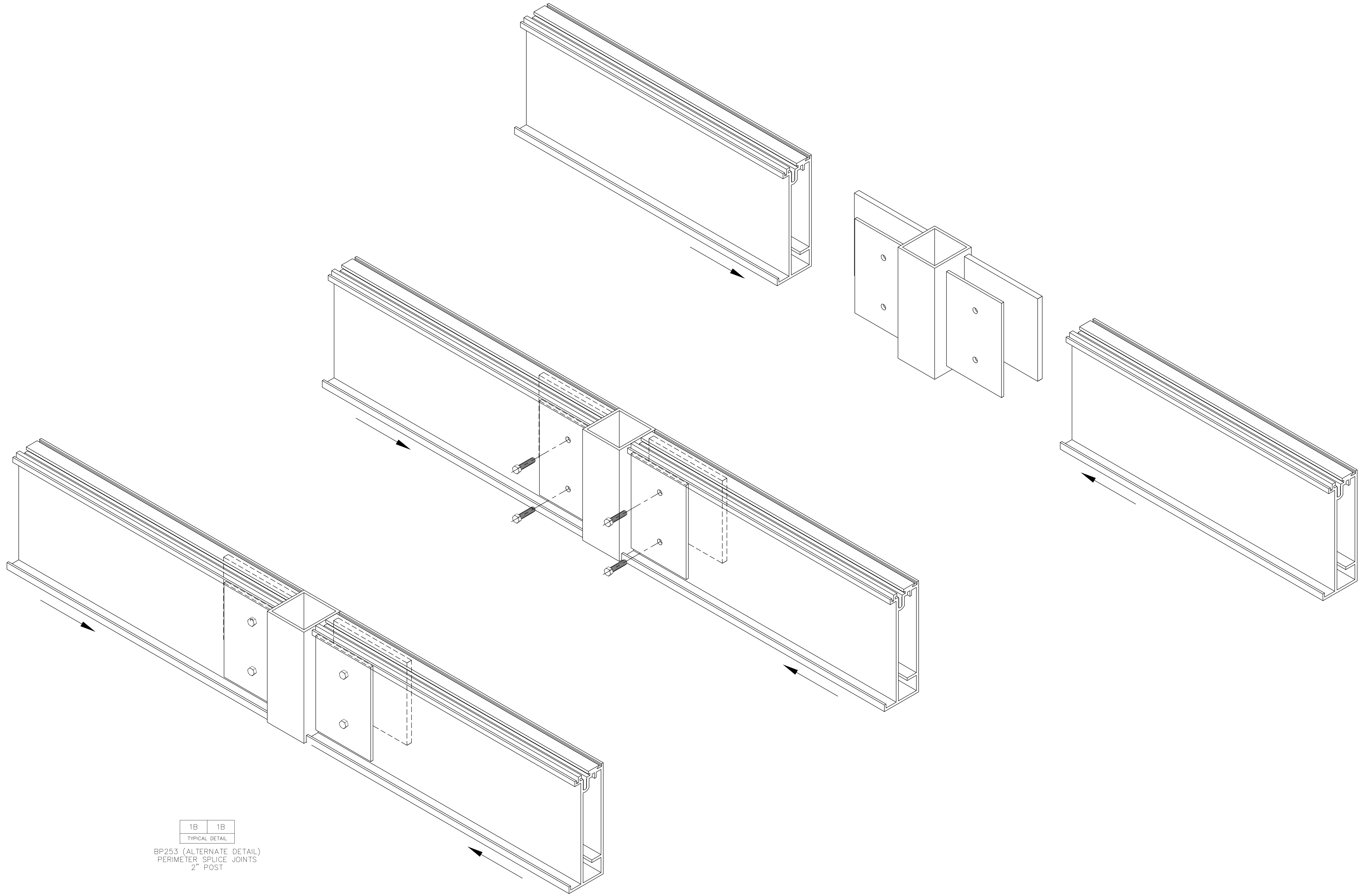


1A 1A
TYPICAL DETAIL
BP253 (ALTERNATE DETAIL)
PERIMETER SPLICE JOINTS

NO.	DATE	REVISION	BY

DEXSPAN DECK SYSTEMS		SCALE: 6"=1'-0"	APPROVED BY: ECG
DATE: 10-22-16	FILE:	DRAWING NUMBER:	
TYPICAL SYSTEM ASSEMBLY			





1B	1B
TYPICAL DETAIL	

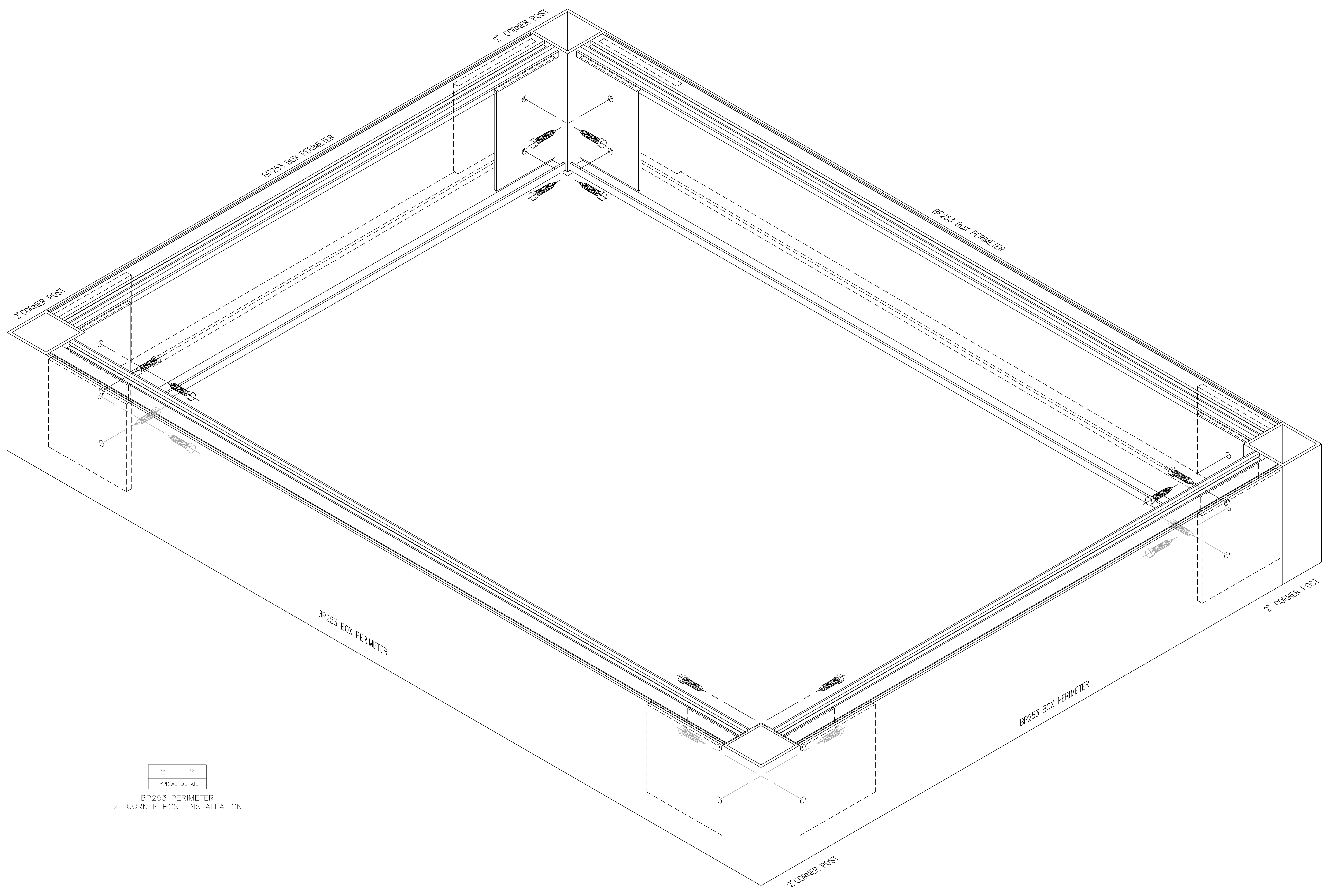
BP253 (ALTERNATE DETAIL)
PERIMETER SPLICE JOINTS
2" POST

NO.	DATE	REVISION	BY

DEXSPAN DECK SYSTEMS		SCALE: 6" = 1'-0"	APPROVED BY: ECG
DATE: 10-22-16	FILE:	DRAWING NUMBER:	
TYPICAL SYSTEM ASSEMBLY			



1B
OF SHEETS: 11



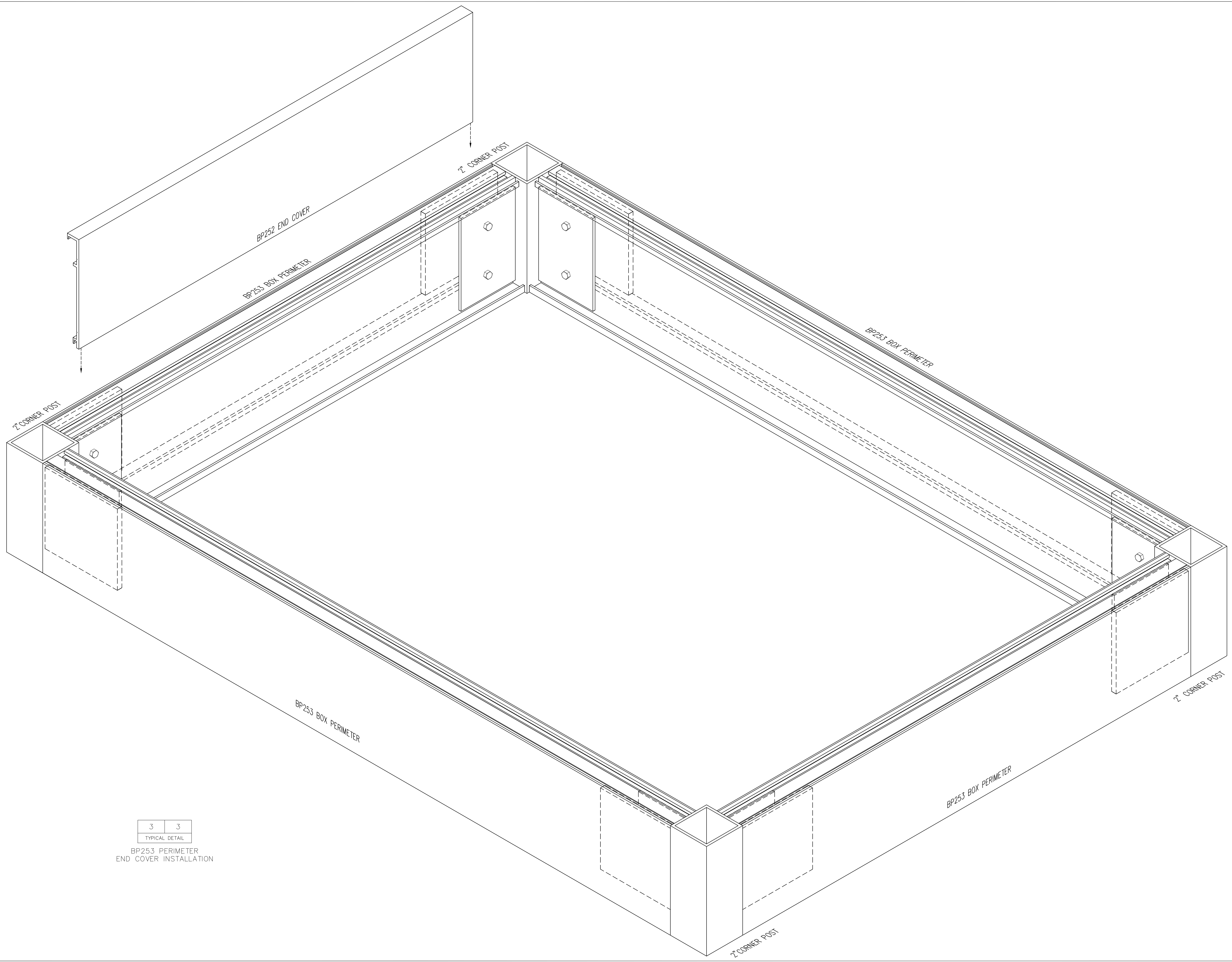
2	2
---	---

 TYPICAL DETAIL
 BP253 PERIMETER
 2" CORNER POST INSTALLATION

NO.	DATE	REVISION	BY

DEXSPAN DECK SYSTEMS	
SCALE: 6"=1'-0"	APPROVED BY: ECG
DATE: 10-22-16	FILE:
TYPICAL SYSTEM ASSEMBLY	
DRAWING NUMBER:	





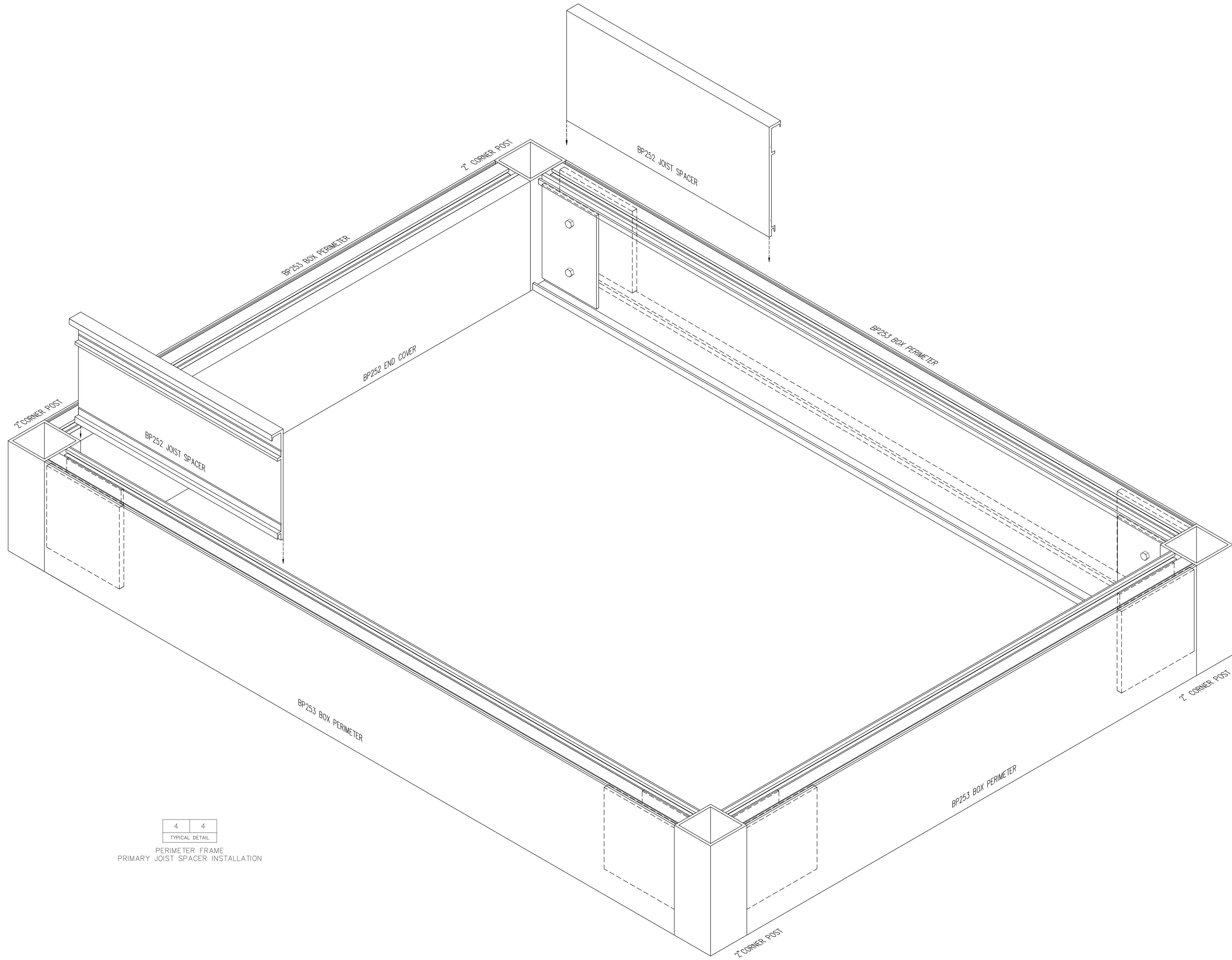
3	3
TYPICAL DETAIL	

BP253 PERIMETER
END COVER INSTALLATION

NO.	DATE	REVISION	BY

DEXSPAN DECK SYSTEMS		DRAWN BY: ECG
SCALE: 6" = 1'-0"	APPROVED BY:	FILE:
DATE: 10-22-16		
TYPICAL SYSTEM ASSEMBLY		DRAWING NUMBER:





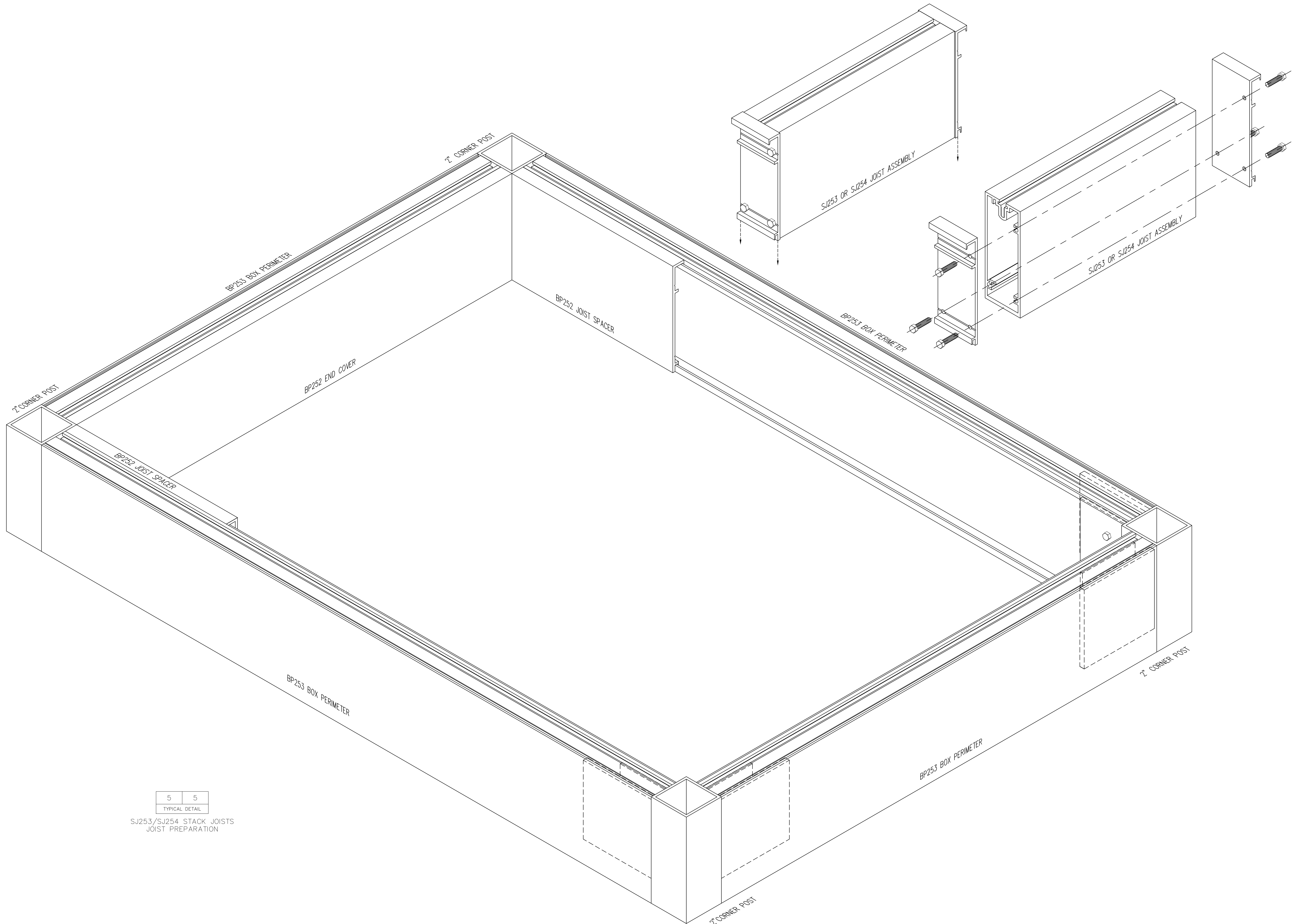
4	4
TYPICAL DETAIL	

PERIMETER FRAME
PRIMARY JOIST SPACER INSTALLATION

NO.	DATE	REVISION	BY

DEXSPAN DECK SYSTEMS		SCALE: 6" = 1'-0"	APPROVED BY: ECG
DATE: 10-22-16	FILE:	DRAWING NUMBER:	
TYPICAL SYSTEM ASSEMBLY			



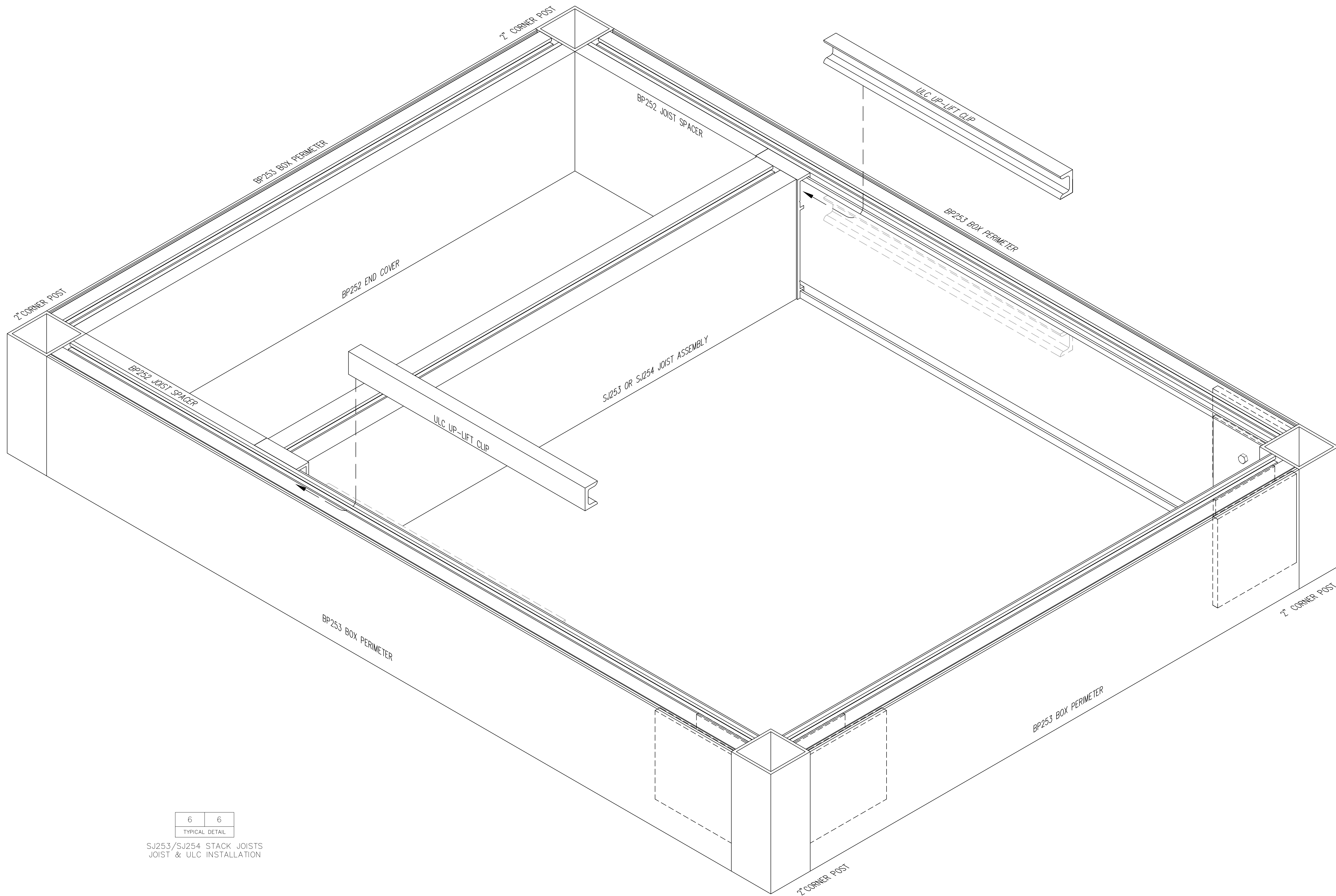


5 5
TYPICAL DETAIL
SJ253/SJ254 STACK JOISTS
JOIST PREPARATION

NO.	DATE	REVISION	BY

DEXSPAN DECK SYSTEMS		SCALE: 6" = 1'-0"	APPROVED BY: ECG
DATE: 10-22-16	FILE:	DRAWING NUMBER: TYPICAL SYSTEM ASSEMBLY	





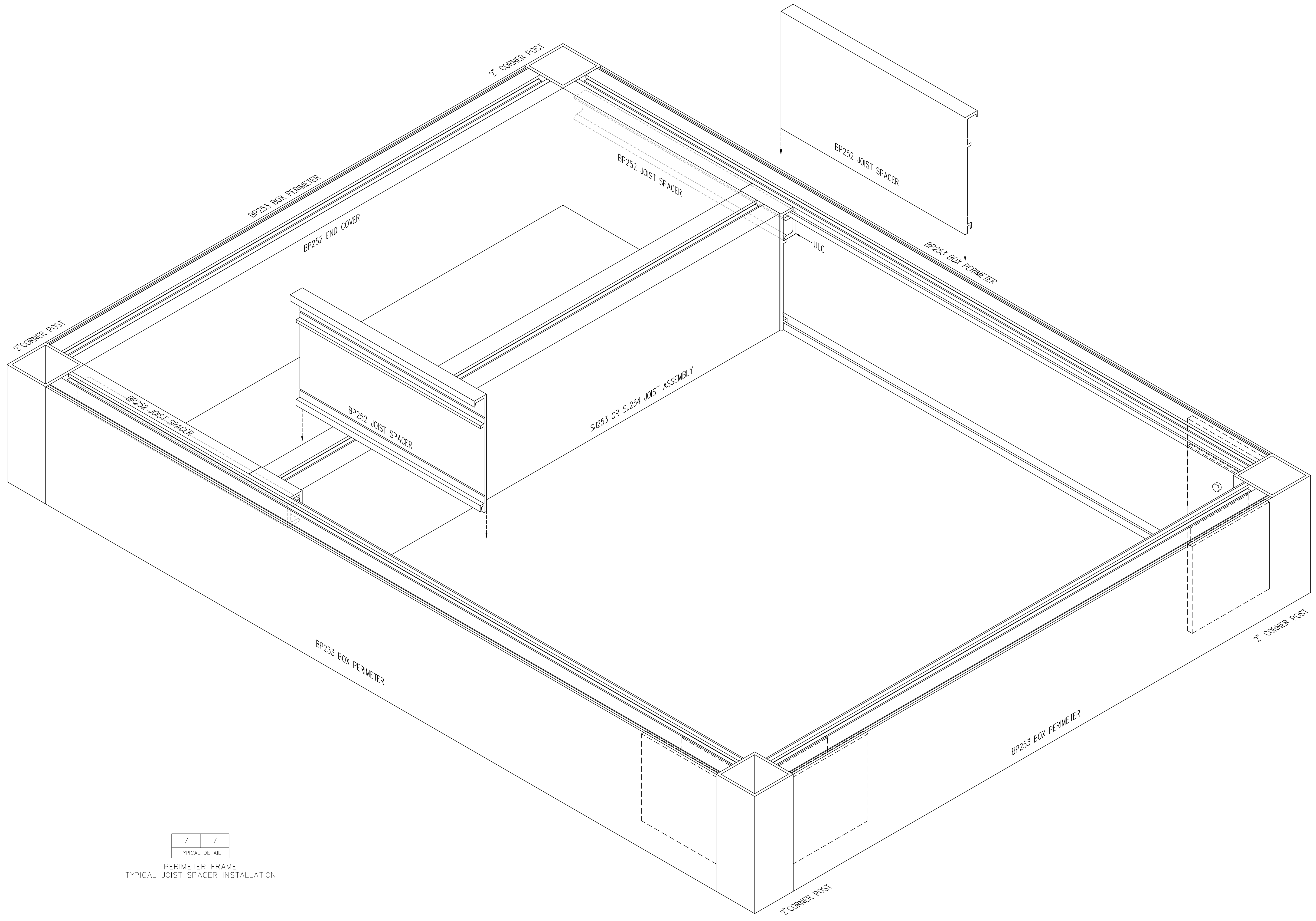
6	6
---	---

SJ253/SJ254 STACK JOISTS
JOIST & ULC INSTALLATION

NO.	DATE	REVISION	BY

DEXSPAN DECK SYSTEMS		SCALE: 6" = 1'-0"	APPROVED BY: ECG
DATE: 10-22-16	FILE:	DRAWING NUMBER: TYPICAL SYSTEM ASSEMBLY	





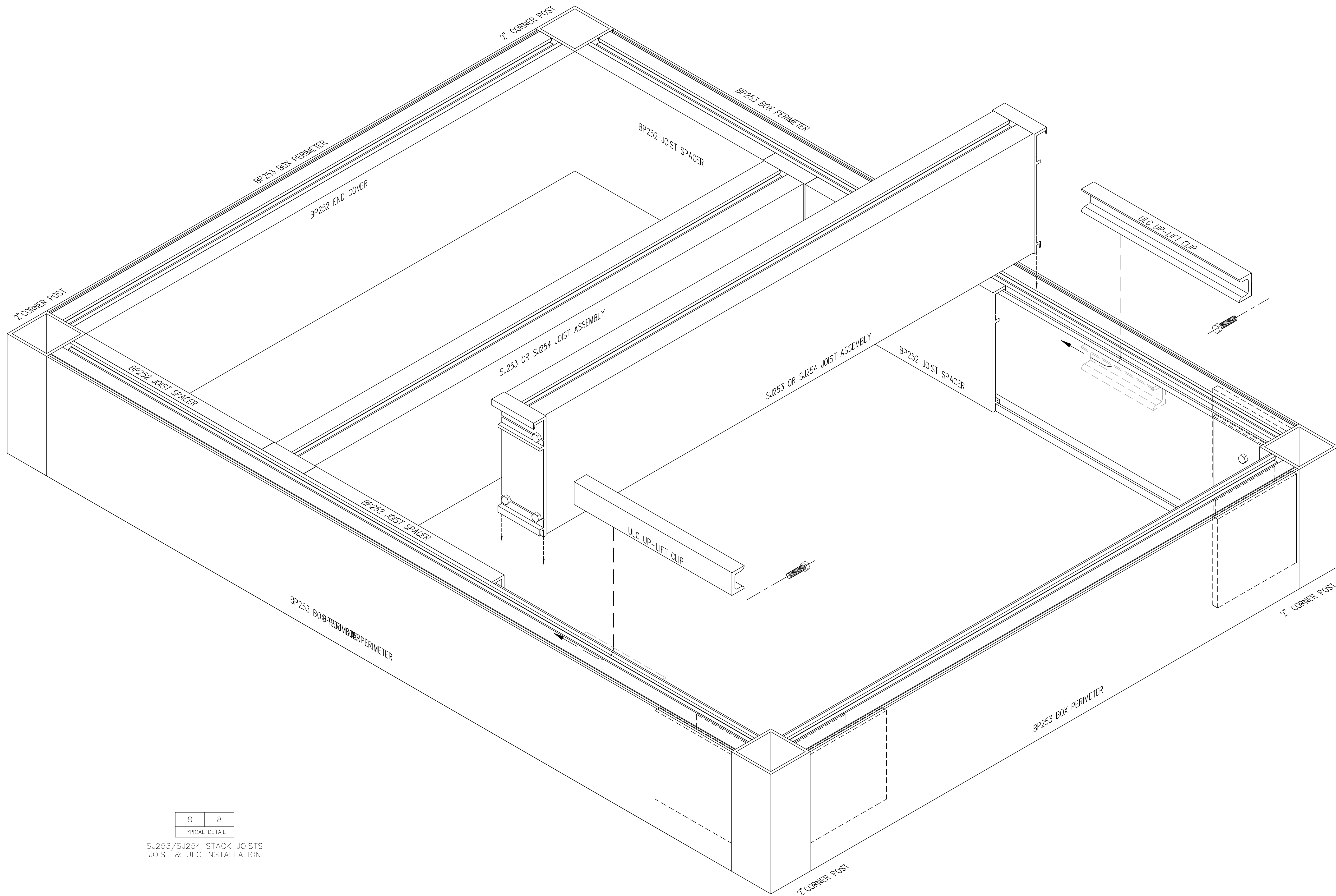
7	7
TYPICAL DETAIL	

 PERIMETER FRAME
 TYPICAL JOIST SPACER INSTALLATION

NO.	DATE	REVISION	BY

DEXSPAN DECK SYSTEMS		SCALE: 6" = 1'-0"	APPROVED BY: ECG
DATE: 10-22-16	DRAWN BY: FILE:	DRAWING NUMBER: TYPICAL SYSTEM ASSEMBLY	





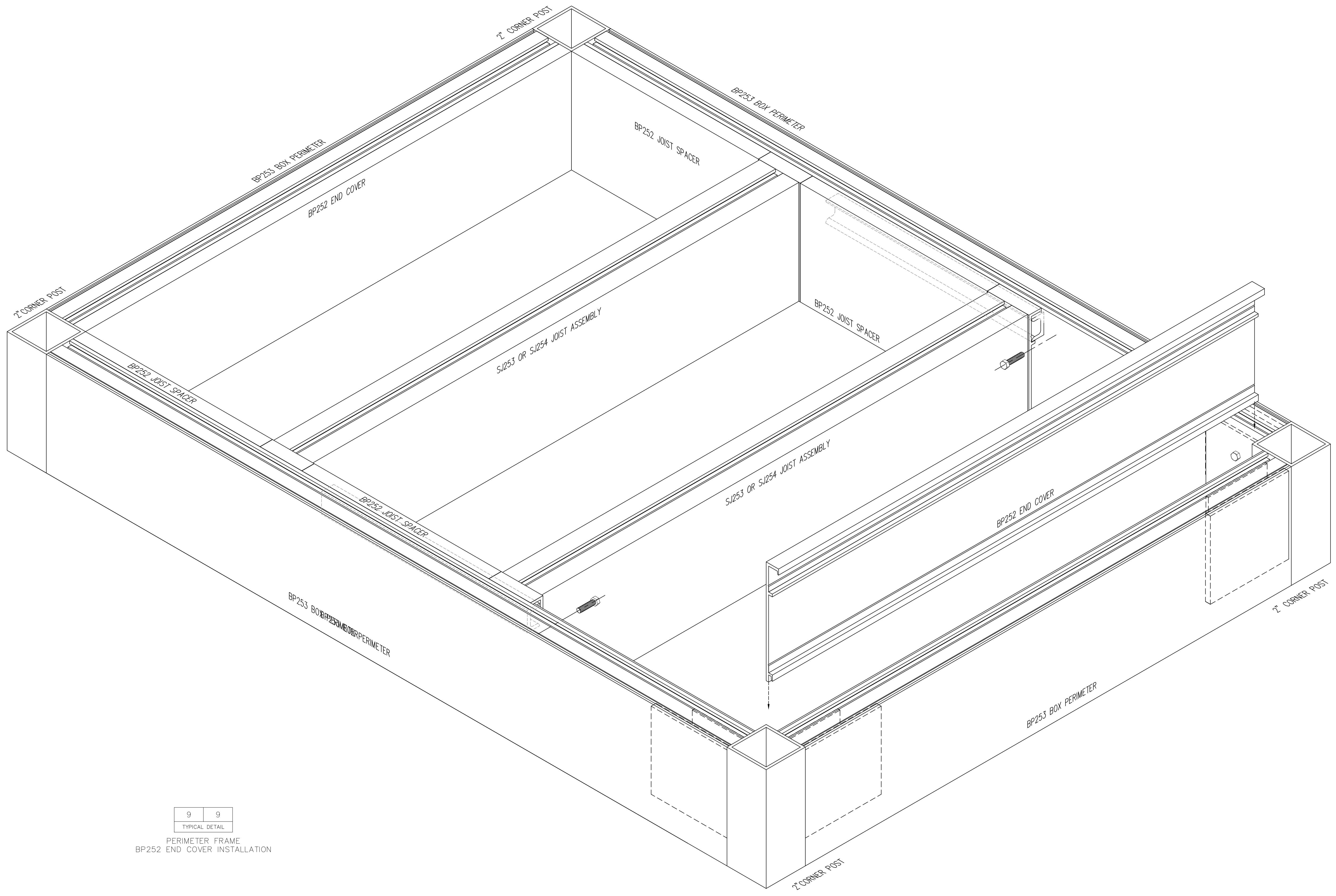
8	8
---	---

TYPICAL DETAIL
 SJ253/SJ254 STACK JOISTS
 JOIST & ULC INSTALLATION

NO.	DATE	REVISION	BY

DEXSPAN DECK SYSTEMS		SCALE: 6"=1'-0"	APPROVED BY: ECG
DATE: 10-22-16	FILE:	DRAWING NUMBER:	
TYPICAL SYSTEM ASSEMBLY			





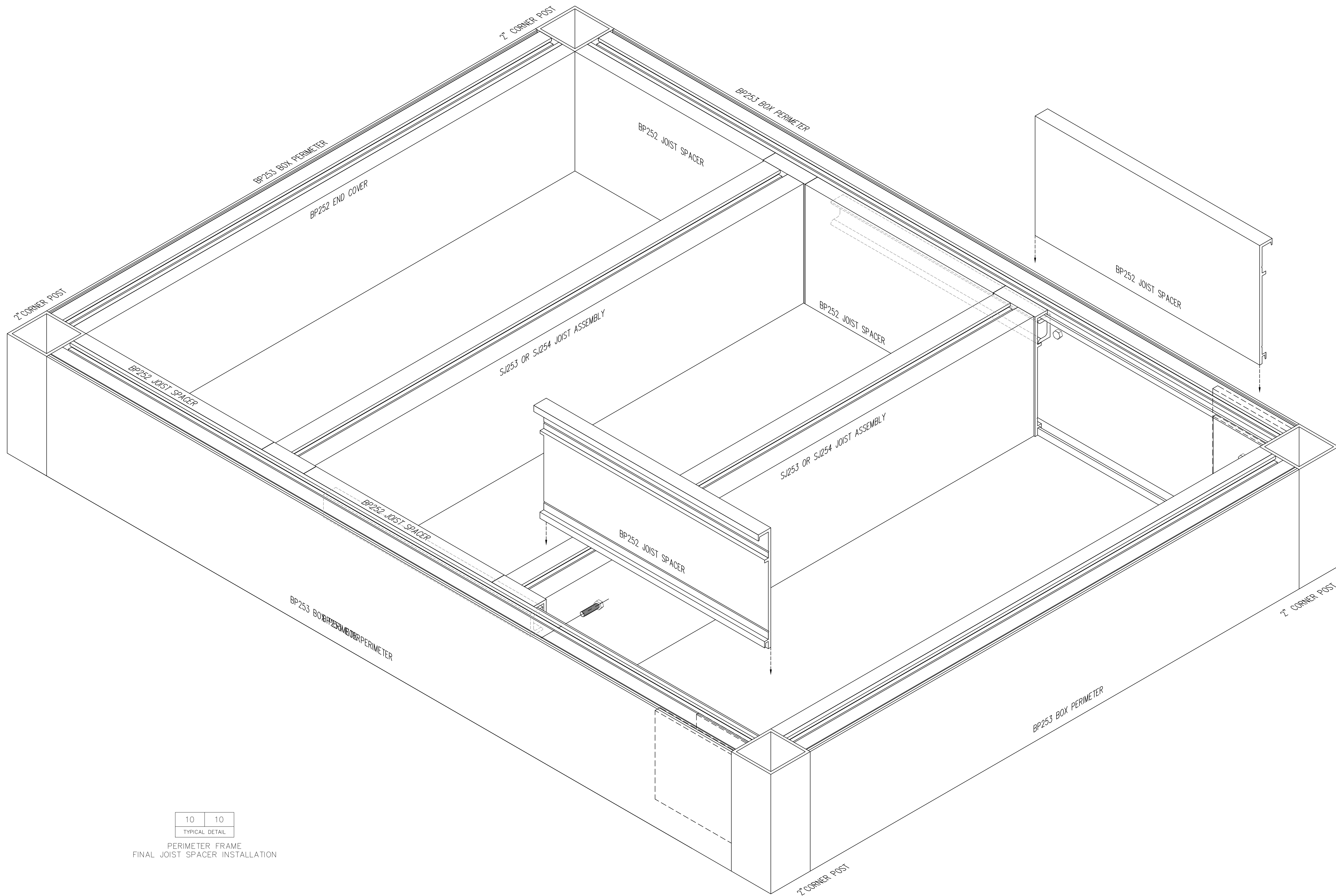
9	9
---	---

TYPICAL DETAIL
PERIMETER FRAME
BP252 END COVER INSTALLATION

NO.	DATE	REVISION	BY

DEXSPAN DECK SYSTEMS		DRAWN BY: ECG
SCALE: 6"=1'-0"	APPROVED BY:	FILE:
DATE: 10-22-16		
TYPICAL SYSTEM ASSEMBLY		DRAWING NUMBER:





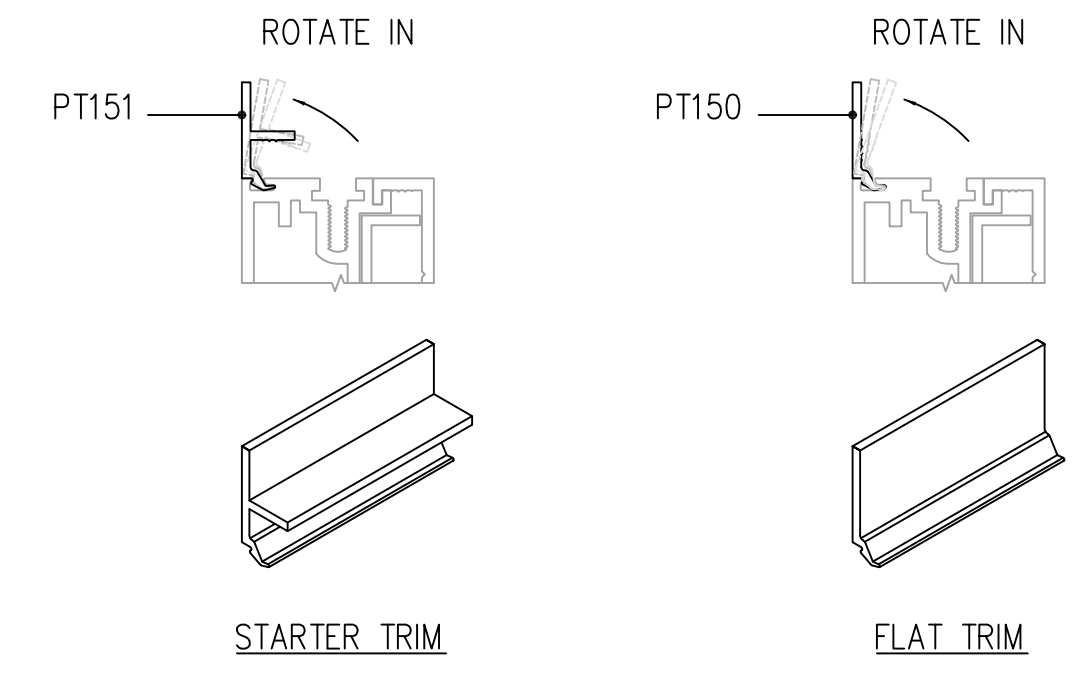
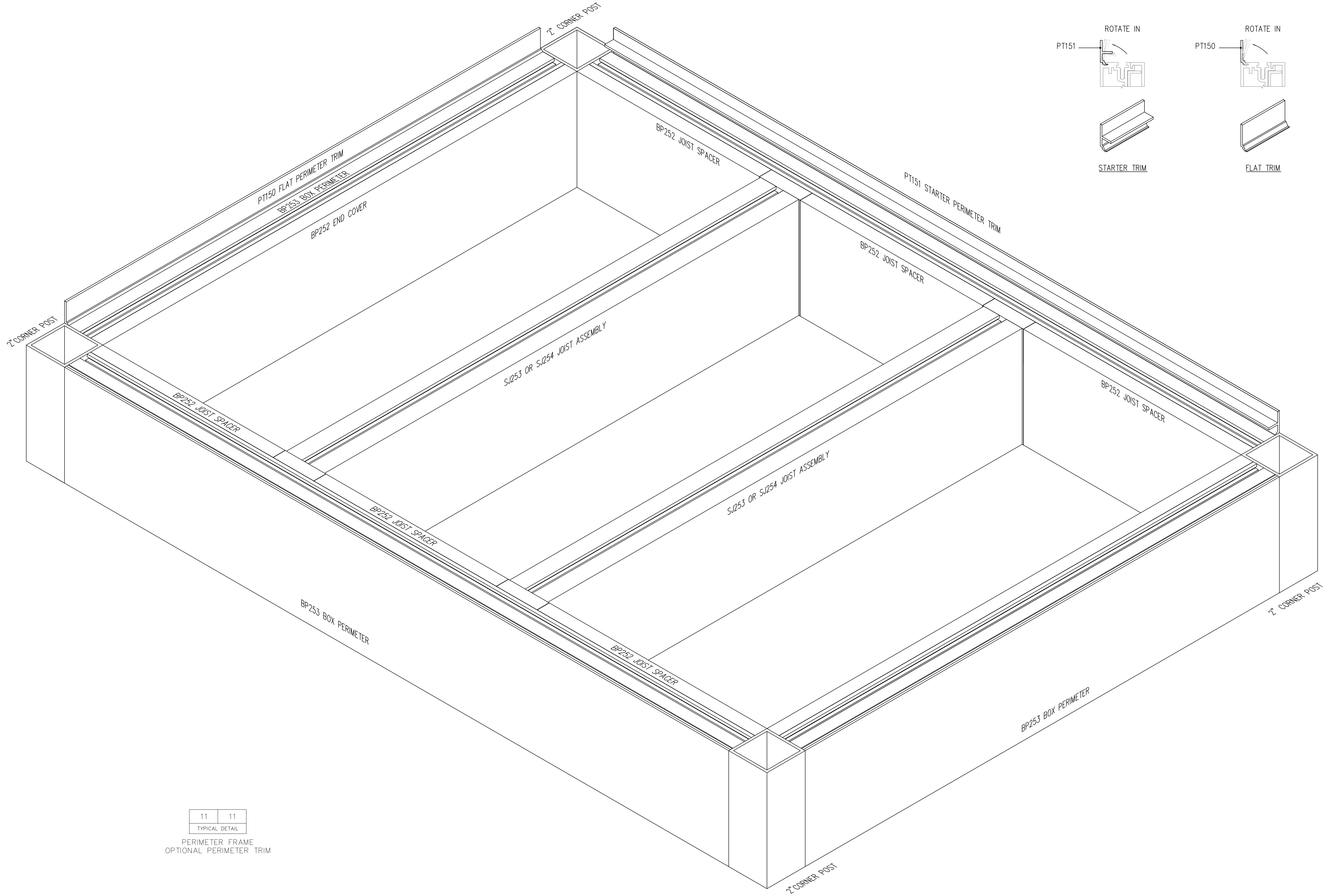
10	10
TYPICAL DETAIL	

 PERIMETER FRAME
 FINAL JOIST SPACER INSTALLATION

NO.	DATE	REVISION	BY

DEXSPAN DECK SYSTEMS		SCALE: 6" = 1'-0"	APPROVED BY: ECG
DATE: 10-22-16	FILE:	DRAWING NUMBER: TYPICAL SYSTEM ASSEMBLY	





11 11
TYPICAL DETAIL
PERIMETER FRAME
OPTIONAL PERIMETER TRIM

NO.	DATE	REVISION	BY

DEXSPAN DECK SYSTEMS		SCALE: 6"=1'-0"	APPROVED BY: ECG
DATE: 10-22-16	FILE:	DRAWING NUMBER: TYPICAL SYSTEM ASSEMBLY	

